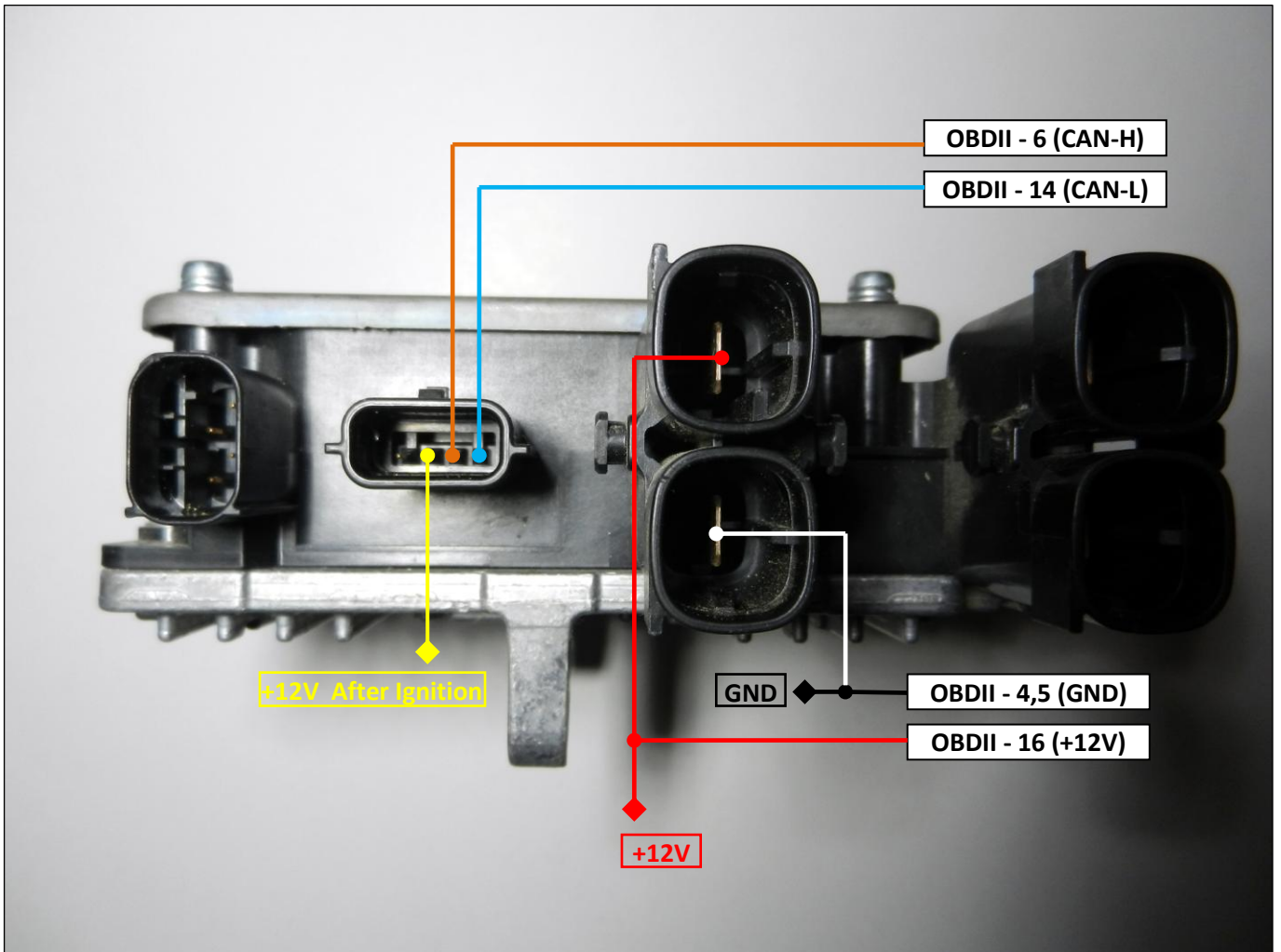


## JTEKT ELECTRIC POWER ASSISTED STEERING FOR TWINGO III (2014+)



**NOTE:** Connect 120 Ohm resistor between CAN-L and CAN-H lines to diagnose PAS module using CAN CLIP in “on the bench” connection. There is no need for this resistor when connecting to RENAULT ECU TOOL.